

# WIND RIVER

## SBC8548E

Wind River's SBC8548E evaluation board ("the SBC8548") is a 6U board that allows you to begin development on your project before your own custom design is available. This board offers a solid platform for both hardware and software engineers to use in evaluating and prototyping designs that closely parallel their final applications. The SBC8548 also gives software engineers a live target on which to begin developing and testing application code.

The SBC8548 comes complete with detailed schematics, a Bill of Materials, a VxWorks 6 or Linux board support package, user documentation, and a power supply to provide you with a turnkey basis for your own custom design. The SBC8548 also comes standard with the following features:

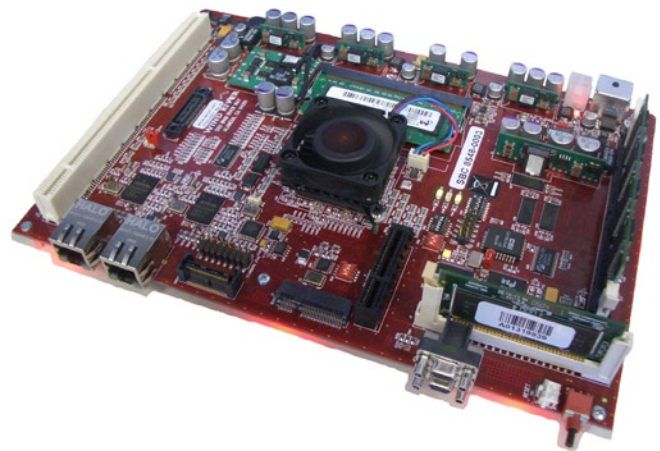
- Processor support
  - MPC8548E
- Memory
  - 256MB of 64-bit DDR2 SDRAM on SODIMM
  - 128MB of 32-bit local bus SDRAM
  - 8MB of 8-bit local bus boot flash
  - 64MB of 32-bit local bus flash on SODIMM
  - 8KB of 8-bit EEPROM on the local bus
- Communication peripherals
  - (2) 10/100/1000Mb/S Ethernet ports with Broadcom 5461S PHY and RJ-45 connectors
  - (2) RS232 ports with Mini DB9 connectors
  - (1) 64-bit, 3.3V vertical PCI/PCI-X connector
  - (1) PCI Express x4 vertical connector
  - (1) SRIO x4 connector
- Miscellaneous
  - 16-pin and new high-speed 52-pin JTAG connector
  - Seven-segment user I/O display
  - User dip switches
  - Front panel reset switch
  - Front panel power switch
  - (2) RS232 Mini DB9 cables

### Versatility

The SBC8548 is built with a default of 256MB of DDR2 SDRAM, but this may be increased by replacing the supplied SODIMM.

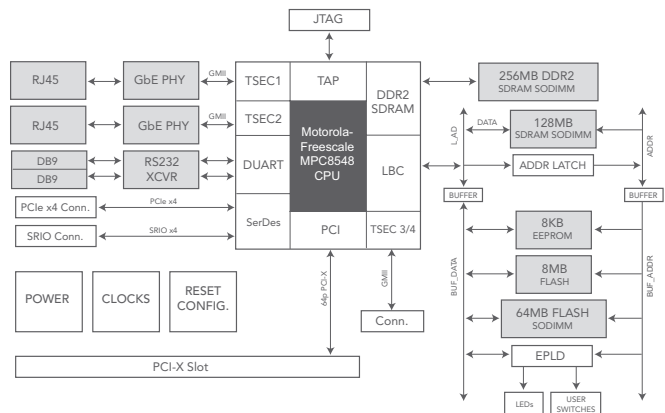
### Flexibility for Prototyping

Wind River makes it easy to access many of the processor's functions for off-board development of your own application hardware. The SBC8548E allows access to the processor's DUART through the use of two Mini DB9 connectors. Network capability is provided through two RJ-45 connectors, which are attached through the GbE PHY to the enhanced three-speed Ethernet controllers (eTSECs).



### Environment Integration

The SBC8548E is completely integrated with Wind River's full range of development tools. The board comes preintegrated with Wind River ICE (and Wind River Probe), an emulator for turnkey development that delivers real-time performance. Wind River ICE is designed for the entire life cycle of your development project and can deliver any level of support, from low-cost background-mode debugging to full-scale real-time emulation. Wind River also supports C and C++ source-level debugging tools from third-party software vendors. Wind River ICE provides true plug-and-play compatibility with leading kernels and debuggers.



### **Professional Services**

Wind River Professional Services, a CMMI Level 3-certified organization, enables companies to reduce risk and improve competitiveness. Our experienced team delivers device software expertise that directly addresses key challenges and contributes to the success of our clients. Based on our commercial-grade project methodology, service offerings include device design, BSP and driver optimization, software system and middleware integration, legacy application and infrastructure migration, and real-time best practices.

### **Commercial-Grade Support**

As a supplier of professional development systems for Freescale PowerPC embedded processor families, Wind River offers knowledgeable and responsive application and technical support. We also have extensive experience designing and debugging around the chip, so we can help you overcome tricky design issues.

Visit Wind River Online Support for fast access to product manuals, downloadable software, and other problem-solving resources. Online Support visitors can also access a community of developers to discuss their issues and experiences.

If you cannot find the information you need through Online Support, please contact our global support team:

### **North America, South America, and Asia/Pacific**

support@windriver.com

Toll-free tel.: 800-872-4977 (800-USA-4WRS)

Tel.: 510-748-4100

Fax: 510-749-2164

Hours: 6:00 a.m. to 5:00 p.m. (Pacific time)

### **Japan**

support-jp@windriver.com

Tel.: +(00)81-3-5778-6001

Fax: +(00)81-3-5778-6003

Hours: 10:00 a.m. to 5:00 p.m. (local time)

### **Europe, the Middle East, and Africa**

support-ec@windriver.com

Toll-free tel.: +(00)(800) 4977-4977

France tel.: +33(0) 1 64 86 66 66

France fax: +33(0) 1 64 86 66 10

Germany tel.: +49(0) 899 624 45 444

Germany fax: +49(0) 899 624 45 999

Israel tel.: +972(0) 9741 9561

Israel fax: +972(0) 9746 0867

UK tel.: +44(0) 1793 831 393

UK fax: +44(0) 1793 831 808

Hours: 9:00 a.m. to 6:00 p.m. (local time)